



FlexTilt

Model FT16, FT20, FT24

USER MANUAL

For Parts or Technical Assistance - (877) 867-7365

TABLE OF CONTENTS

Overview

Introduction	3
Intended Use	3
Safety Information	3
Specifications	5
Options and Accessories	5

Preparation for Use

Unpacking	5
-----------	---

Operation

Seat Tilt	5
Recline Position	6
Leg Elevation	6
Foot Extension – Retraction	7
Pivoting Side Rail	7
Front Locking Casters	8
Rear Directional Casters	8
Adjustable Seat Height	9
Backrest Adjustability	10

Maintenance

Cleaning	11
Maintenance and Service	11
Service Parts List	12

Warranty

Warranty	13
----------	----

Overview

Introduction

This manual provides instructions for use of the FlexTilt. Do not operate the chair without first reading and understanding the warnings and cautions provided herein.

NOTICE: The information in this document is subject to change without notice.

Intended Use

The FlexTilt geriatric chair is intended to provide means for a single occupant to recline and sit, and to assist the occupant in moving between reclining, sitting and standing positions.

The chair is intended for use in U.S. and Canada long and short-term care facilities, and homes.

The chair is intended to support a safe working load of 350 lbs. (evenly distributed), which includes the weight of the occupant, clothing and accessories.

The chair is intended for operation by adult users who have read and understand this User Manual.

The chair is intended for use in environments where it will not get wet, and where the ground is stable and level.

Safety Information



This symbol identifies a **WARNING** or **CAUTION**:



WARNING represents potentially dangerous situations that can lead to serious physical injury or death.








CAUTION represents potentially dangerous situations that can lead to minor physical injury.



General Use Safety




WARNING Chair must be used as specified under the “Intended Use” heading. Use of the chair outside of the specified conditions may result in personal injury or equipment damage.

-  **WARNING** Close supervision by an adult user who has read and understands this User Manual is required when the chair is used around children or others who have not or cannot read and/or understand this User Manual.
-  **CAUTION** Keep all moving parts free of obstruction (i.e. blankets, pads, tubing, etc.)
-  **CAUTION** Never remove any labels applied to the chair. Failure to do so could result in personal injury or equipment damage.
-  **CAUTION** Do not exceed the maximum allowable weight capacity on the chair. The maximum weight is the sum of the resident/patient, clothing and accessories.
-  **CAUTION** Always keep all chair casters locked unless chair is being moved. Unlocked casters can result in a fall hazard due to unexpected movement.


Options and Accessories Safety

-  **CAUTION** Use only chair accessories and chair replacement parts supplied or approved by Med-Mizer® for this chair. Third party accessories and replacement parts that are not approved by Med-Mizer® may result in personal injury or equipment damage.
-  **CAUTION** The use of parts and accessories not approved by Med-Mizer® will void the warranty and will exclude Med-Mizer® from any possible liability claims.

Cleaning Safety

-  **CAUTION** Follow manufacturer's instructions for proper use of cleaning agent. Improperly diluted or improperly applied cleaning agents can result in inadequate disinfection or a caustic burn hazard.

Maintenance and Service Safety

-  **WARNING** If a fault or problem is found during preventative maintenance inspections, remove the chair from service until the appropriate repair or adjustment is made.

Specifications

	FT16	FT20	FT24
Seat Width	16"	20"	24"
Backrest Recline	34 Degrees	34 Degrees	28 Degrees
Seat Tilt	27 Degrees	27 Degrees	25 Degrees
Leg Raise	42 Degrees	42 Degrees	45 Degrees
Backrest Adjustability/Seat Depth	From Edge of Seat: 15.375"/16.0625"/17.125"/18"		
Seat Height Adjustment	Seat to the floor: 17.5"/18.5"/19.5"		
Leg support extends	From 15.5"/16.25"/17"/17.75"/18.5"/19.25"/20"		

Options and Accessories

FTBUCK – Foot Box

SBFLEX – Stabilizer Bars

Preparation for Use (*Read this user manual thoroughly*)

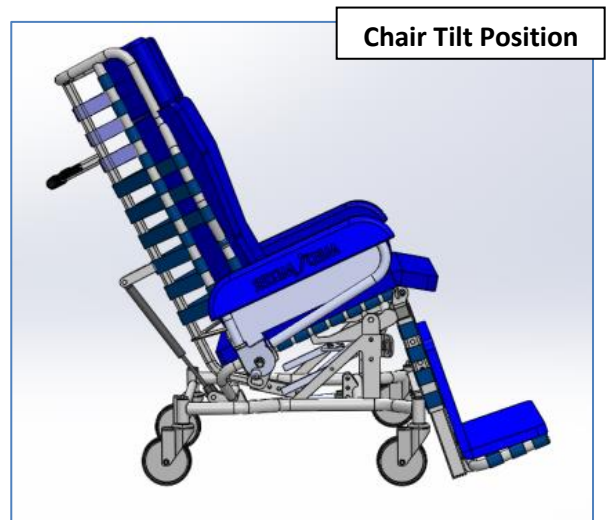
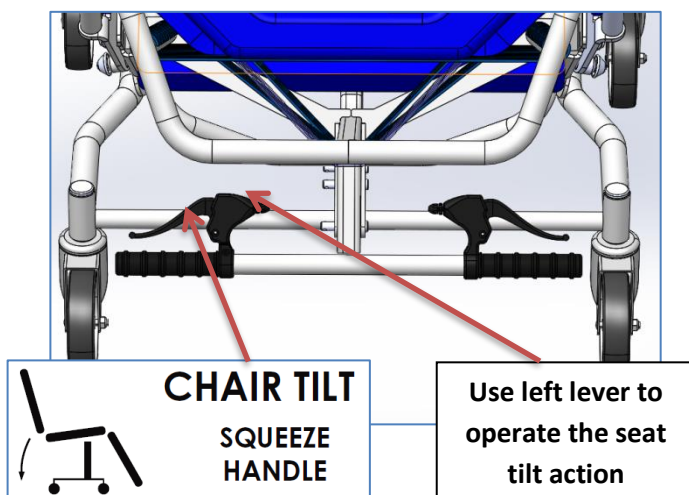
Unpacking (If Shipped LTL/Commercial)

Tools Required: Utility Knife and Side Cutting Shear

1. Remove shrink wrap and straps that attach the chair to the pallet.

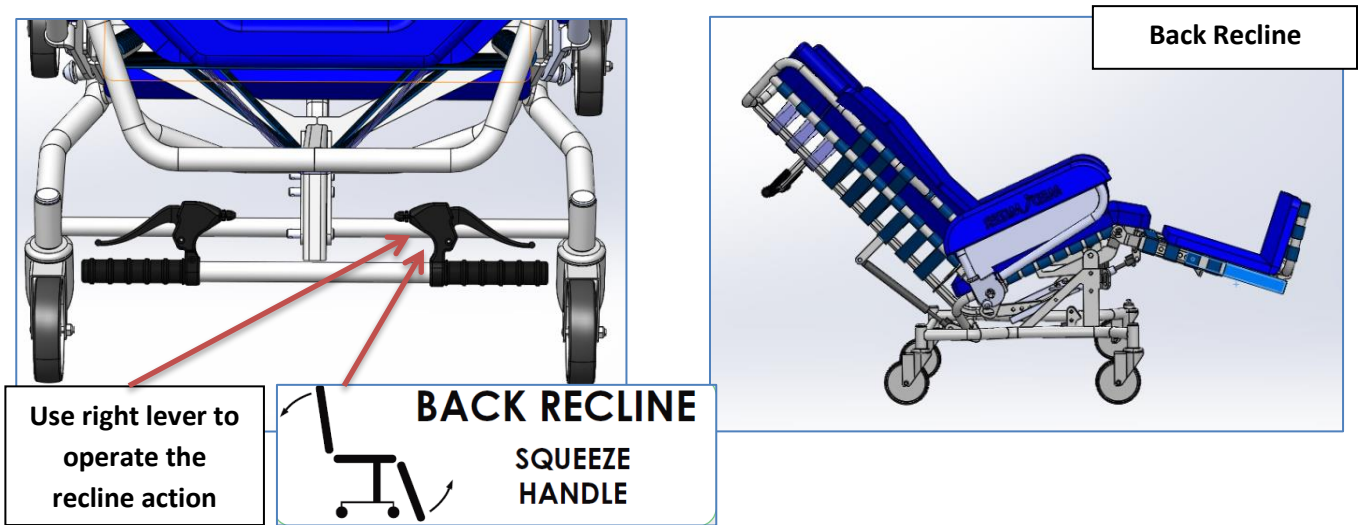
Operation

1. **Chair Tilt** – The chair tilt action on the chair is activated when you use the left lever on the back of the chair.



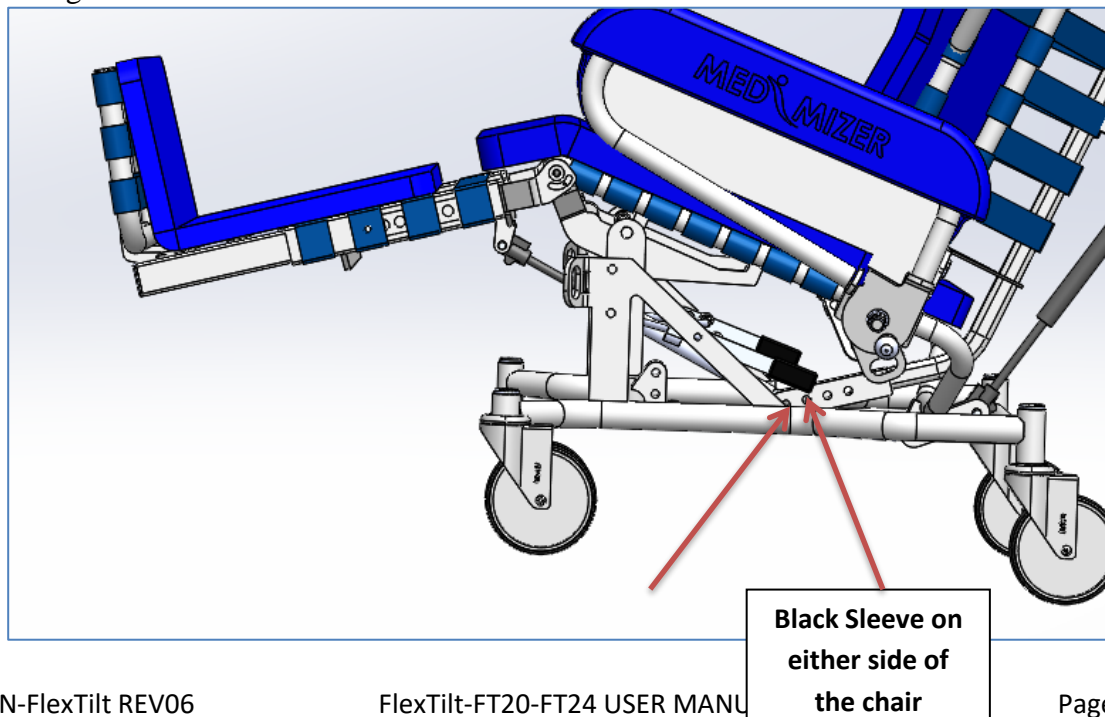
2. **Back Recline** - The back recline action on the chair is activated when you use the right lever on the back of the chair.

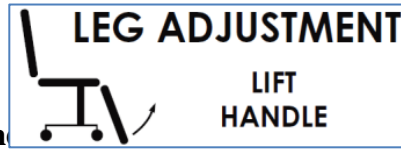
Note: The leg rest elevates as the caregiver reclines the chair, the leg elevation can be adjusted once the caregiver has the chair in the desired recline position. See step 3 for details.



3. **Leg Adjustment** – The leg elevation is activated by lifting on the black sleeve on the side of the lower base frame.

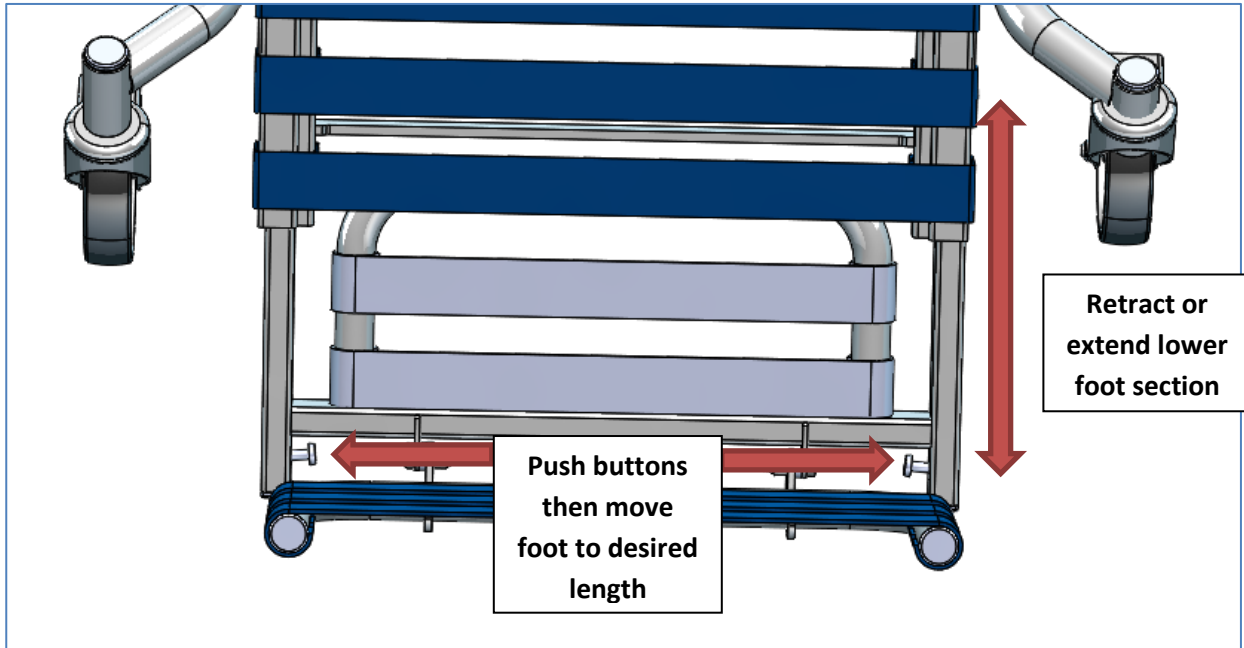
Note: Place lower leg elevation to the full down position prior to attempting patient egress from Chair.



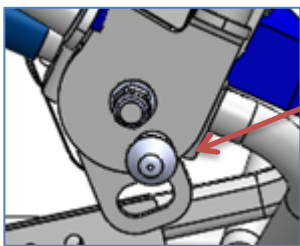
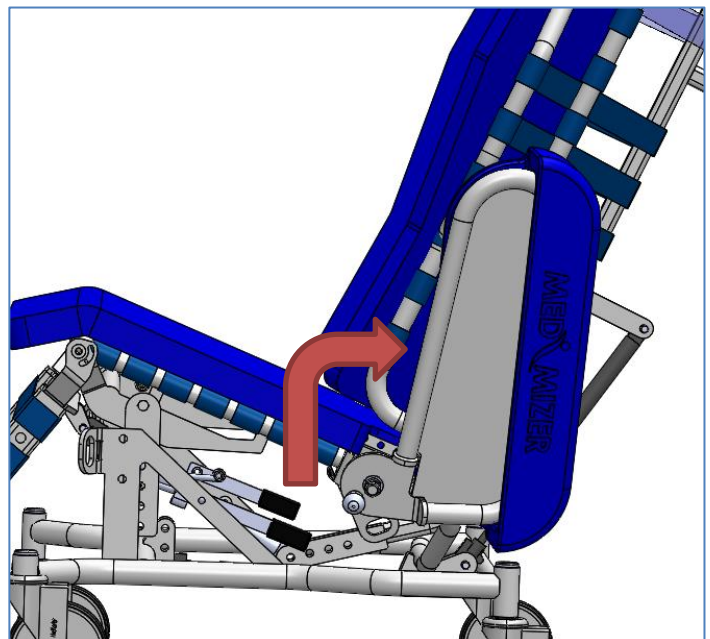
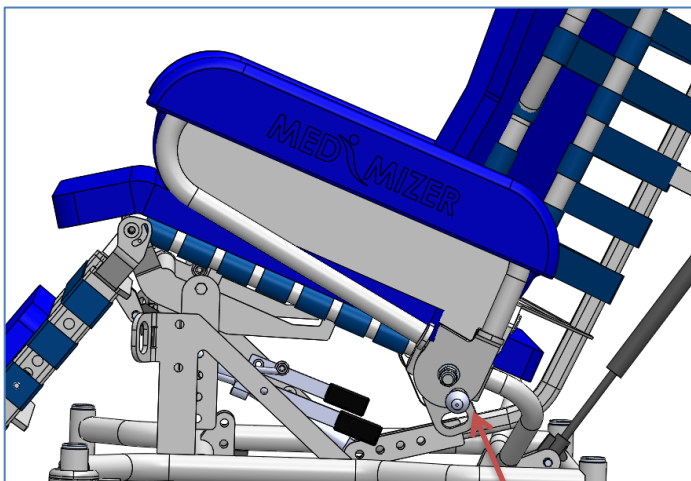


4. **Foot Extension and Retraction** is located on the lower foot rest to activate the foot extensions and retraction.

Note: Retract foot extension prior to attempting patient egress from chair.

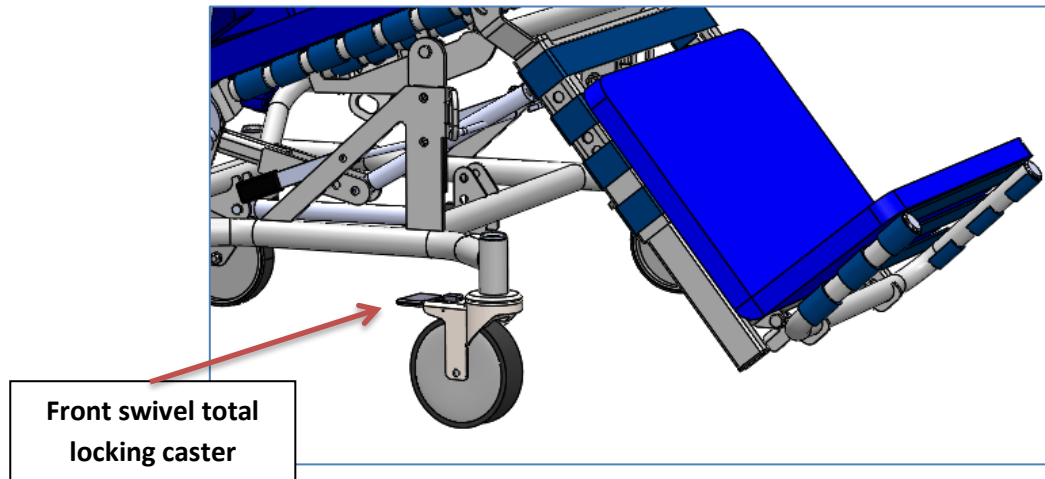


5. **Pivoting Side Rail** – Pull side rail knob and flip rail up and towards the backrest. Rail will lock in complete up position.



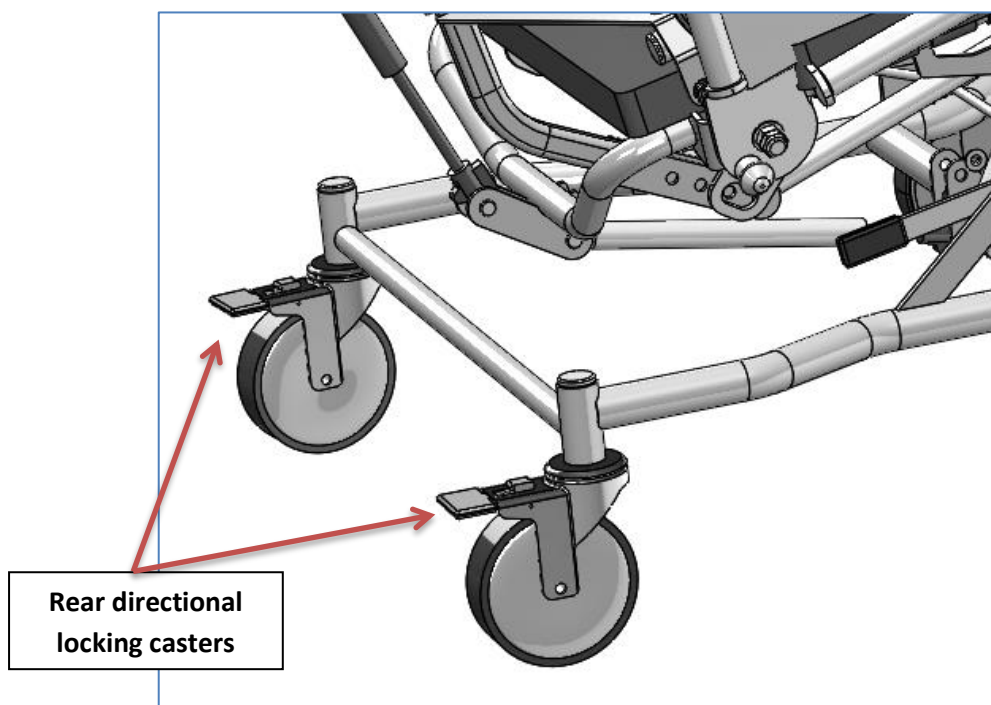
Pull knob and pivot rail up until it locks into place

6. **Front Locking Casters** – Casters located under the leg rest of the chair are total locking. When pedal is compressed the caster will no longer swivel nor will the caster turn.



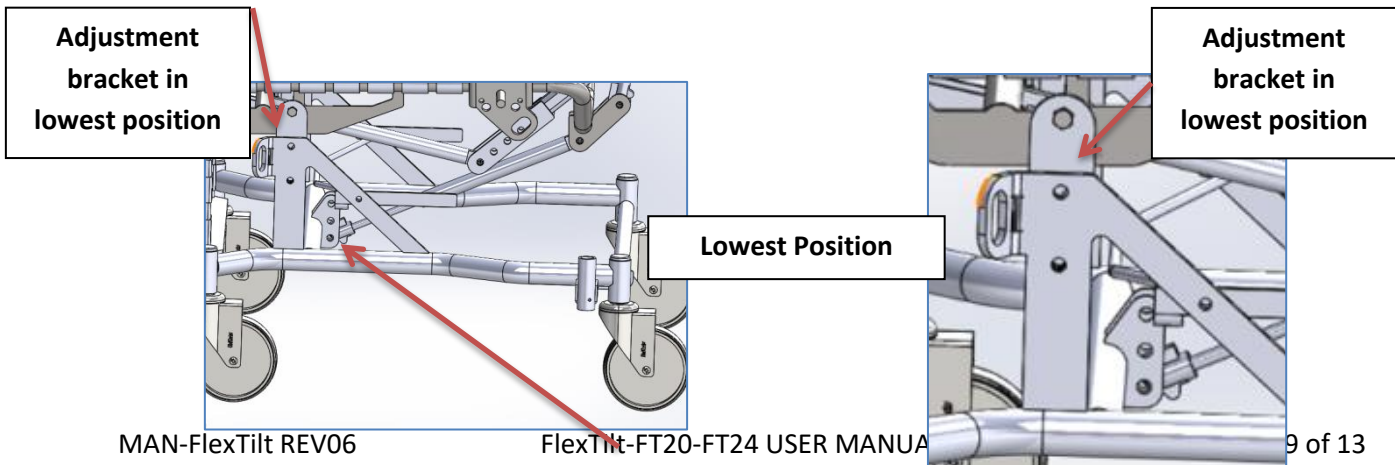
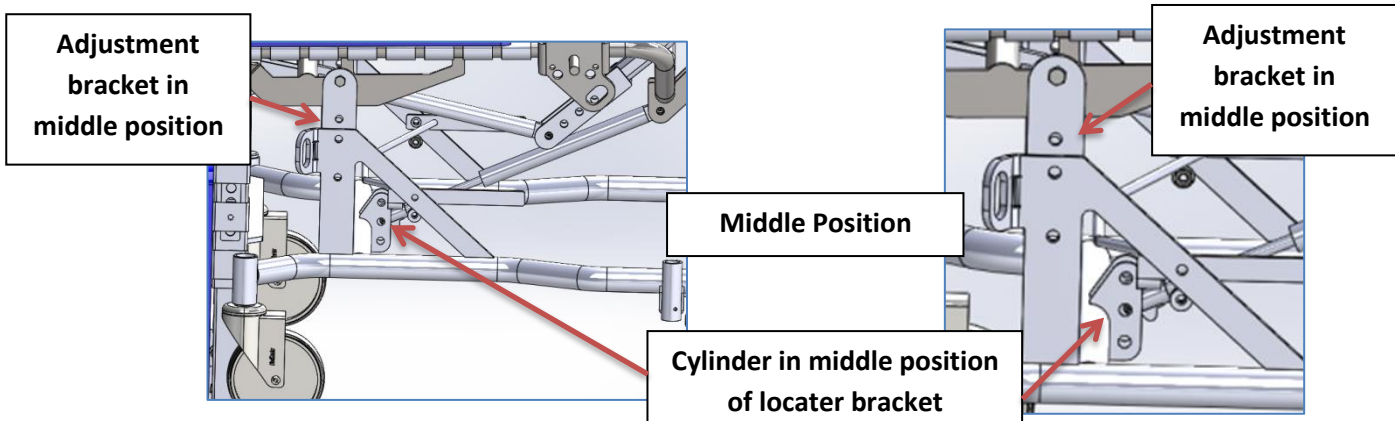
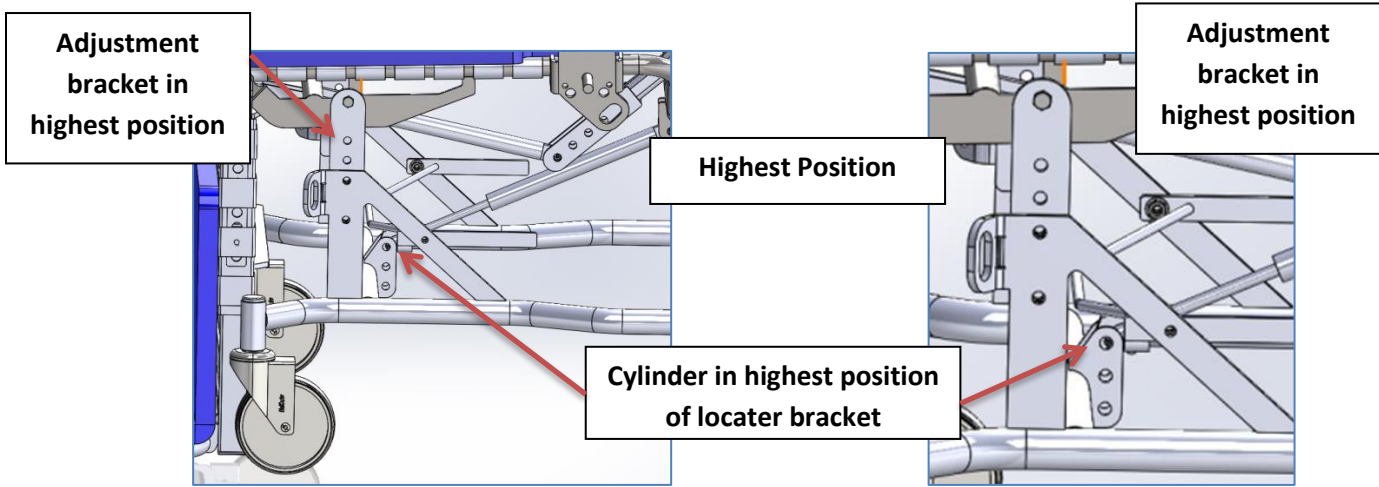
7. **Rear Directional/Steering Casters** – The two rear casters are directional/steering casters. When the pedal is compressed the casters will swivel until they lock in a straight line.

Note: It is recommended to use both when moving the chair.



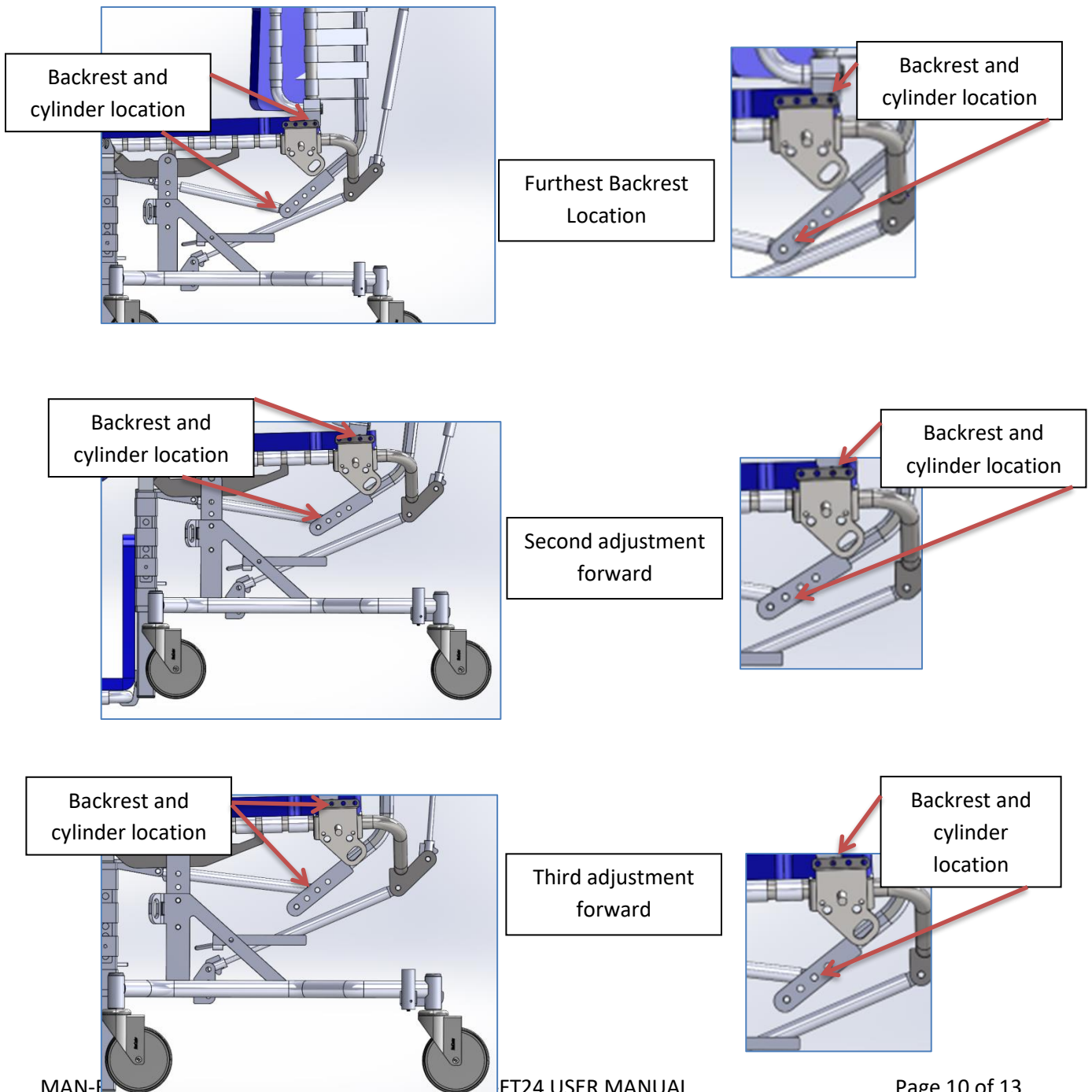
- 8. Adjustable Seat Height** – The seat height has three different heights that are available (19.25”, 18.25”, 17.25”). Adjusting the seat height means moving the adjustment brackets down or up as well as adjusting the cylinder to match the height.

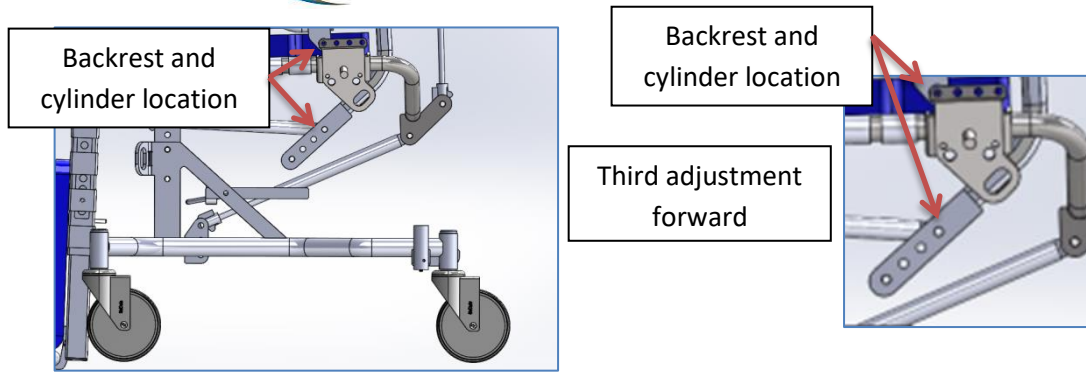
Note: (The chair will always be delivered in the highest position.)



9. **Backrest Adjustability** – The **Cylinder in lowest position of locator bracket** different available seat depths. Each adjustment has an increment of .875". The backrest and cylinder both need adjusted when choosing a seat depth. See images below.

Note: (The chair will always be delivered with the seat depth in the maximum seat depth position.)





Maintenance

Cleaning

Frame Cleaning - The frame can be cleaned/disinfected with a disinfecting wipe. Disinfectant should always be applied to a cloth; never spray directly on frame. Always follow manufacturer's instructions for proper use of cleaning agent. After applying cleaning agent, allow the surface to dry prior to placing unit back in service. Clean frame as needed.

Pad/Cushion Cleaning - All cleaning solutions must be properly diluted according to the manufacturer's instructions. Please follow standard institutional wipe down and infection control procedures.

Maintenance and Service

NOTICE: RECOMMENDED TO PERFORM PREVENTIVE MAINTENANCE EVERY 12 MONTHS FOR BEST PERFORMANCE.

1. Inspect the frame for weld cracks or tears.
2. Check that all bolts, pins and fasteners are still in working order.
3. Perform functional test on the chair.
4. Inspect the casters for wear and tear.

Preventative Maintenance Inspections	Problem Resolution
Inspect chair frame for cracks, tears or bending, particularly at welds and joints.	Remove chair from service. Contact Med-Mizer® customer service.
Check that screws, bolts, pins and other fasteners are in place, secured and properly tightened.	Remove chair from service. Tighten loose bolts and screws. Contact Med-Mizer® customer service to replace missing or damaged fasteners.
Inspect gas springs for excessive wear and misalignment.	Remove chair from service. Contact Med-Mizer® customer service.
Inspect all gas spring cabling for wear and tear.	Remove chair from service. Contact Med-Mizer® customer service to replace power cord.

Service Parts List

PART #	DESCRIPTION
5261	Shoulder Washer, Sleep Surface
5526	Bushing, Pivot ASRL
5527	Pin, ASRL Pivot Pull
5639	Steel Knob
6102	1/2-13 Jam Finishing Nut Zinc
6195	5" Swivel Caster Total Lock (LK524)
6283	1/2-13 Gr2 Nyl Thin Locknut, 5/16" Ht.
6317	Wldmnt, Seat Bottom
6423	Pivot ASRL Nylon Spacer 17W15013
6474	5" BI Brake Caster (Y580XDT2/W500U)
6602	17W10032
6774	Pin, 10mm Clevis x 1-3/4" Usable Length
6775	Armrest, Polyurethane Chair
6776	Aluminum Blind Rivets with Aluminum Mandrel, 3/16" Diameter, 0.450" Long
6777	Locking Gas Springs, Back (KOM2KK2-100-351/300N)
6778	Locking Gas Springs, Tilt (KOM2KK2-100-351/600N)
6779	Locking Gas Springs, Leg (KOM2KK2-100-351/150N)
6780	Release Head (20AKXXMXX)
6781	Tubing plug Caster (41194)
6782	Tubing plug, Seat Base(41170)
6783	Back Tube cap, Seat Back (41203)
6784	36" Cable
6785	48" cable
6786	Leg Cable
6787	Levers
6788	Handle Grip
6808	Pad, Head Rest (20" Chair)
6806	Pad, Back Rest (20" Chair)
6805	Pad, Seat (20" Chair)
6807	Pad, Leg Rest (16", 20", 24" Chair)
6839	Pad, Head Rest (24" Chair)
6838	Pad, Back Rest (24" Chair)
6837	Pad, Seat (24" Chair)
6873	Pad, Head Rest (16" Chair)
6871	Pad, Back Rest (16" Chair)
6870	Pad, Seat (16" Chair)
10438	Boss, Caster Mounting
10468	Spacer, Chair Bottom

6765	Strap, 1 x 28 (Fits FT16, FT20 and FT24)
6766	Strap, 1-1/2 x 21" Long (FT20 Only)
6767	Strap, 1 x 31(Fits FT16, FT20 and FT24)
6768	Strap, 1 x 29.5 (Fits FT16, FT20 and FT24)
6769	Strap, 1 x 29 (FT20 Only)
6770	Strap, 1-1/2 x 21.5 (FT20 Only)
6771	Strap, 1-1/2 x 22-1/2 (FT20 Only)
6772	Strap, 1-1/2 x 20 (FT20 Only)
6773	Strap, 1-1/2 x 17 (FT20 Only)
6843	Strap, 1 1/2 x 24 (FT24 Only)
6844	Strap, 1 1/2 x 30 (FT24 Only)
6845	Strap, 1 1/2 x 33.5 (FT24 Only)
6776	Strap, 1 1/2 x 26 (FT16 Only)
6777	Strap, 1 1/2 x 18.5 (FT16 Only)
6846	Strap, 1 1/2 x 25.5 (FT24 Only)

Contact Med-Mizer® customer service at (877) 867-7365 to order parts

Warranty

Med-Mizer, Inc. warrants to the original purchaser that its products shall be free of defects in material and workmanship for a period of 3 years on the chair frame, 1 year on all other components. All pads are excluded from the warranty unless damaged during freight. Med-Mizer’s obligation under this warranty is expressly limited to supplying replacement parts for, or replacing, at its option, any product which is, in the sole discretion of Med-Mizer, found to be defective. This warranty does not cover failure due to negligence, accident, abuse or installation not in accordance with the company’s instructions or failure to follow maintenance instructions.

If requested by Med-Mizer, products or parts for which a warranty claim is made shall be returned prepaid to Med-Mizer’s factory. Any improper use or any alteration or repair by others in such manner as in Med-Mizer’s judgment affects the product materially and adversely shall void this warranty.



80 Commerce Dr. | www.med-mizer.com
Batesville, IN 47006 | (877) 867-7365